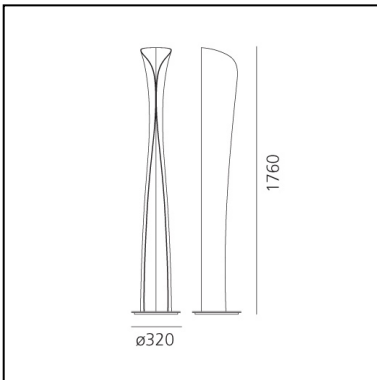


# Cadmo Floor - LED - White/White 3000K

Karim Rashid



IP20   



## LUMINAIRE

- Watt: **44W**
- Voltage: **220V-240V**
- Delivered lumens output: **4003lm**
- CCT: **3000K**
- Efficiency: **90%**
- Efficacy: **90.98lm/W**
- CRI: **90**

## Notes

Lamp included. With touch dimmer.

## DESCRIPTION

Floor lamp. A steel panel screens and releases a soft indirect light upwards together with a diffused light along the vertical aperture of the lamp. Combination of LED light sources, for indirect and diffused emission, with separate switching. Painted steel body lamp, with cover-base in painted inox-steel. With light regulator configured to controlled socket.

**PRODUCT CODE: 1361020A**

## FEATURES

- Article Code: **1361020A**
- Colour: **White / White**
- Installation: **Floor**
- Material: **Steel**
- Series: **Design Collection**
- Environment: **Indoor**
- Area contract: **Hospitality, Residential**
- Emission: **Indirect And Diffused**
- design by: **Karim Rashid**

## DIMENSIONS

- Height: **cm 174**
- Diameter: **cm 32**

## SOURCES INCLUDED

- Category: **Led**
- Number: **1**
- Watt: **44W**
- Delivered lumens output: **4042lm**
- Color temperature (K): **3000K**
- CRI: **90**
- Color Tolerance: **MacAdam 3SDCM**
- Category: **Led Retrofit**
- Number: **1**
- Watt: **10W**
- Socket: **GU10**
- Color temperature (K): **3000K**